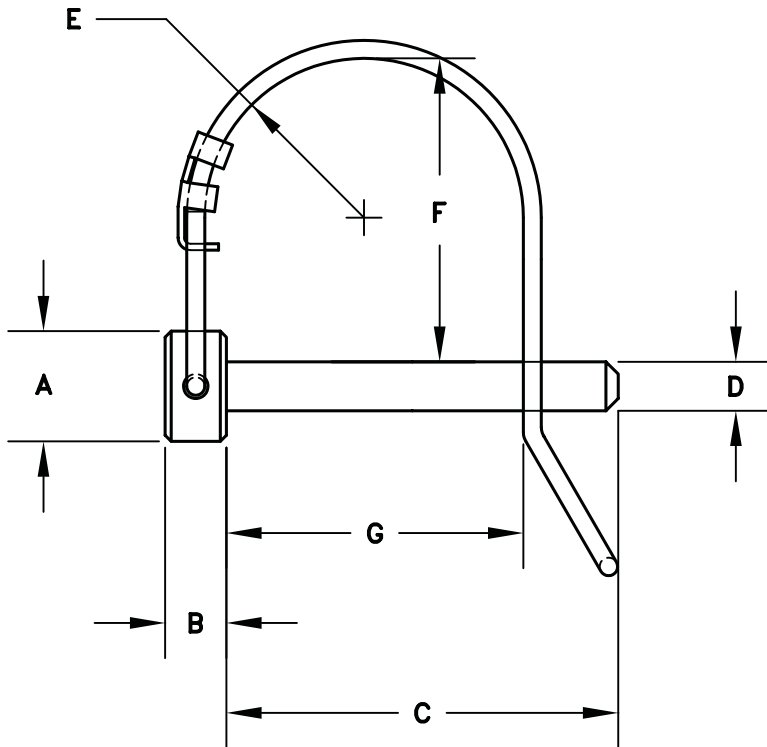


# TAB LOCK PIN



CARBON STEEL WITH ZINC FINISH

ITEM	A	B	C	D	E	F	G
14-16LPT	9/16	5/16	2	1/4	13/16	19/16	1 3/4
516-16LPT	5/8	5/16	2	5/16	13/16	1 1/2	1 3/4
38-16LPT	5/8	5/16	2	3/8	13/16	17/16	1 3/4
516-22LPT	5/8	5/16	2 3/4	5/16	13/16	1 3/4	2 1/2
38-22LPT	5/8	5/16	2 3/4	3/8	13/16	1 3/4	2 1/2

18-8 STAINLESS STEEL

14-16LPTSS	9/16	5/16	2	1/4	13/16	19/16	1 3/4
516-16LPTSS	5/8	5/16	2	5/16	13/16	1 1/2	1 3/4
38-16LPTSS	5/8	5/16	2	3/8	13/16	17/16	1 3/4

